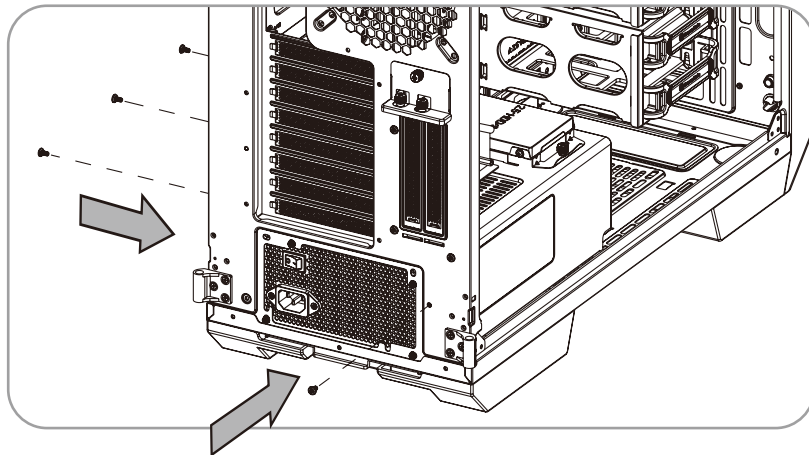
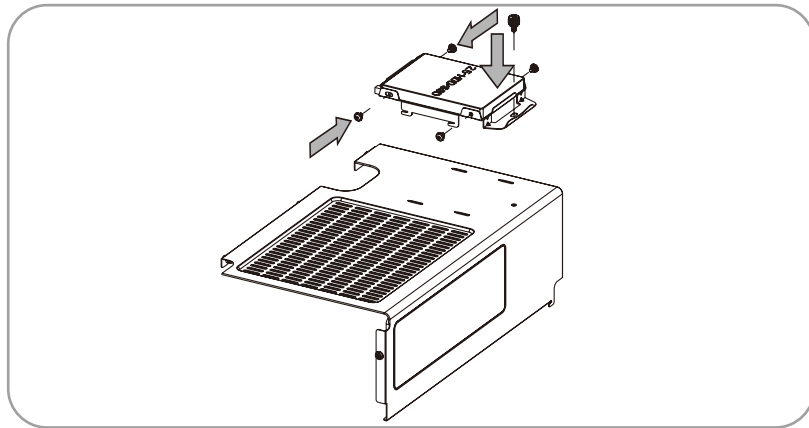
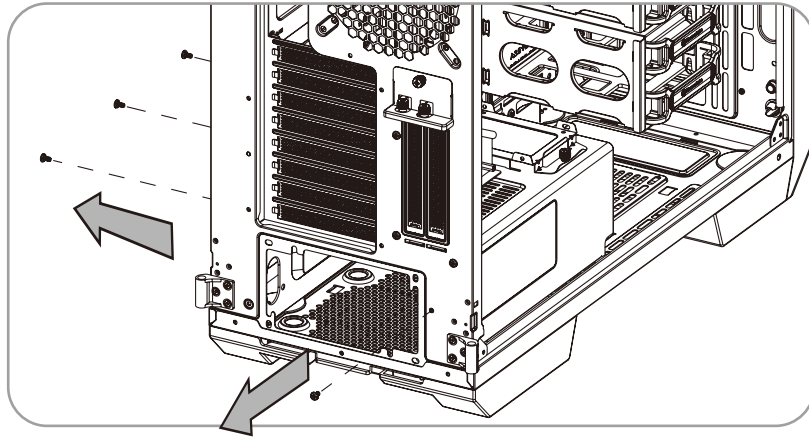


Power Cover/2.5" HDD Bracket Installation

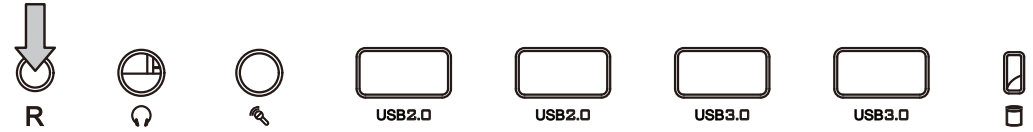
VIEW 71 TG ARGB



RGB Switch Mode

VIEW 71 TG ARGB

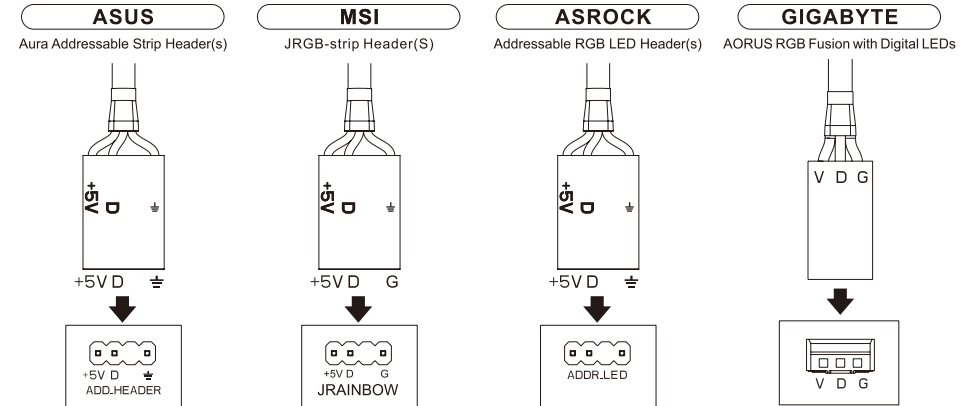
I/O Port



- Wave Mode Mode 1
- Flow Mode Mode 2
- RGB Lighting Mode 3 (Single Color)
- Radar Mode Mode 4~10
(Red, Yellow, Green, Cyan, Blue, White, Purple)
- Breath Mode Mode 11~18
(RGB, Red, Yellow, Green, Cyan, Blue, White, Purple)
- Full Lighted Mode Mode 19
- Single Color Mode 20~26
(Red, Yellow, Green, Cyan, Blue, White, Purple)
- Light Off Mode 27

※ Long press on RGB button for 3 seconds, fan will blink twice which now are controlled by MB software. And vice versa.

How to connect MB



Accessory

Figure	Parts Name	Q'ty	Used for
	MB Signal Bridge Cable (ASUS/MSI/ASROCK)	1	LED Signal Sync
	MB Signal Bridge Cable (GIGABYTE)	1	LED Signal Sync